

### **User Benefits**

---

- Low energy consumption
- Compact size
- Reversible operation
- Easy maintenance

## **Series N**

---

### Rotary Lobe Pumps for low volume transfer

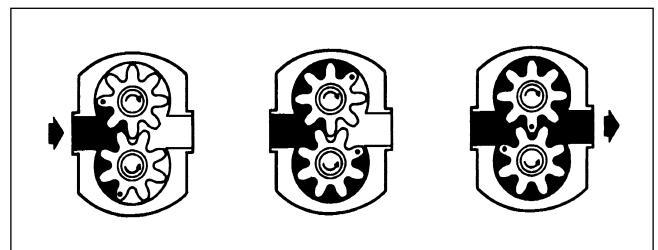
SSP Series N stainless steel rotary lobe pumps have been designed for low volume fluid transfer duties within application areas such as laboratories, pilot plants, chemical processing, food processing, electroplating and film processing.

The Series N pump, being small in size, is ideal for installations where space is restricted.

### **Operation**

---

The positive displacement of the Series N pump is provided by non-contacting, contra rotating roloid gear rotors within a fully swept pump chamber. Series N pumps are capable of bi-rotational flow without modification.



## Performance

The Series N pump range has two pump head displacements, 2.05 litres/100 rev and 3.86 litres/100 rev.

- Flow rates up to 2300 l/h
- Differential pressures up to 7 bar
- Port sizes from 1/4 in (6 mm) to 1 in (25 mm) diameter

## Basic Design

**Pumphead** - The Series N pump is fitted with roloid gear rotors keyed to the shafts and held by retention discs enabling bi-directional pumping. In standard specification the rotors are manufactured from 316 type stainless steel, PTFE impregnated for low friction flow. The rotors are suitable for operation at temperatures up to 100°C. All other metallic pumped media components are manufactured from 316 type stainless steel.

**Shafts** - Manufactured from 316 type stainless steel.

**Gearbox** - The Series N pump has a robust cast iron gearbox, which provides maximum shaft rigidity.

Pump Model	Inlet and Outlet Connections		Displacement litres/100 rev	Differential Pressure bar	Maximum Speed rev/min	Weight Bare Shaft Pump kg
	Size (International Standards) in	Size (International Standards) mm				
N1-000S-H07	1/4	6	2.05	7	1000	10
N1-000L-H07	1/2 or 1	12 or 25	3.86	7	1000	10

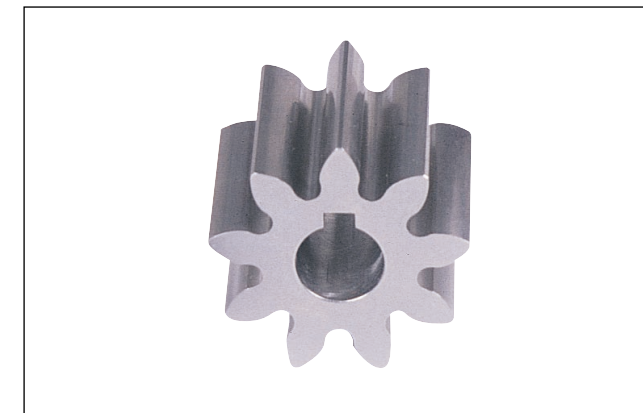
## Specification Options



### Pump overload protection

For essential overload protection to protect pump, drive unit and also limit pressure build up within associated process equipment.

**Pressure relief valve** - supplied as an integral part of the pump and not requiring any external pipework. The design is such that the valve mechanism is isolated from the pumped media.



### Heating / Cooling device

Jacket for rotorcase cover for heating the pumphead so as to maintain the pumped media viscosity and reduce risk of any crystallisation/solidification. This may also be used for cooling purposes when required.

### Connections

The Series N pump has screwed female BSPT or NPT inlet and outlet connections with the option on model N1-000L-H07 only, of 1 in (25 mm) male screwed adaptors.

Comprehensive choice covering

- Screwed male adaptors to all major standards including BSP, DIN11851, IAMD/3A, ISS/IDF, RJT, SMS, Tri-clamp and more.
- Flanged male adaptors to all major standards including ASA/ANSI1150, BS4504/DIN2533, BS10E and more.

### Pumped media seals

Either single mechanical seals or packed glands may be fitted. Mechanical seals are available with carbon and stainless steel materials with the alternative of hard faced seal materials such as tungsten carbide or silicon carbide where application demands. Packed glands offer a simple, low cost, and easy to maintain controlled leakage sealing arrangement.

Pumped media wetted elastomers are EPDM, NBR, FPM all FDA conforming or PTFE for chemical applications.

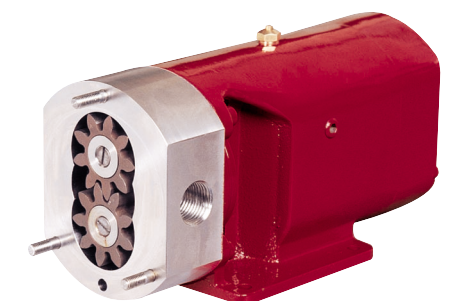


### Stainless steel roloid gear rotors

For applications where the use of PTFE is prohibited the roloid gear rotors can be supplied in 316 type stainless steel without PTFE impregnation.

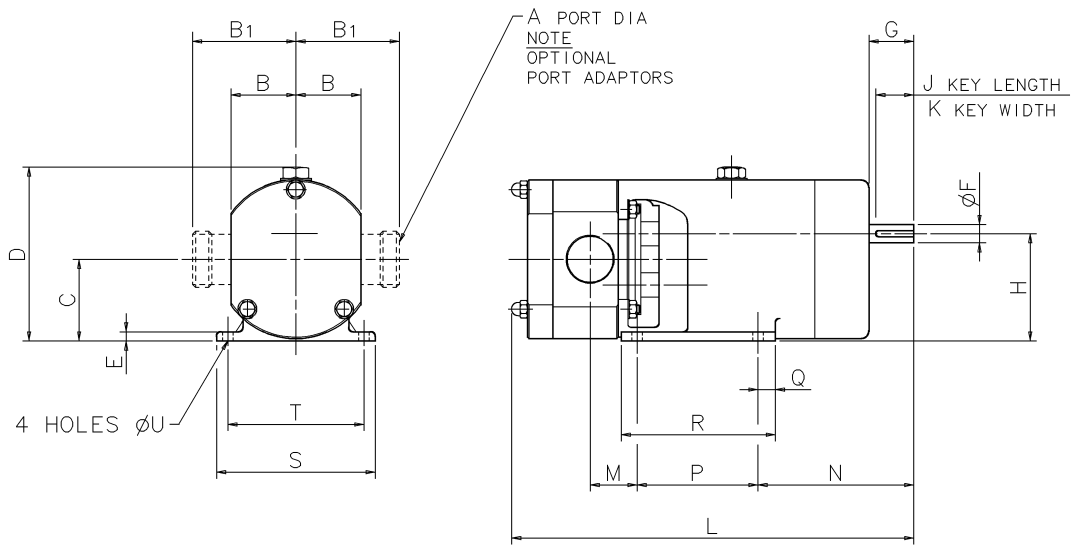
### Motorised pump units

Pumps may be supplied fully motorised with fixed or variable speed drives including appropriate control systems if required, mounted on either mild or stainless steel baseplates. In addition to electric motor drives, hydraulic or pneumatic, powered prime movers can be fitted.



# Series N

## Bareshaft Pump Dimensions



All dimensions in mm

Pump Model	A	B	B1	C	D	E	F	G	H	J	K	L	M	N	P	Q	R	S	T	U
N1-000S-H07	6	42	-	54	115	6.5	12	30	71	25	4	250	25	103	80	11	102	105	90	7
N1-000L-H07	12 or 25	42	68	54	115	6.5	12	30	71	25	4	266	31	103	80	11	102	105	90	7

**Sales - Pumps: +44 (0)1323 414600**  
**Spares: +44 (0)1323 414601**

The information contained herein is correct at the time of issue,  
but may be subject to change without prior notice

P/105/0211



Alfa Laval Pumps Limited  
[www.ssppumps.com](http://www.ssppumps.com)